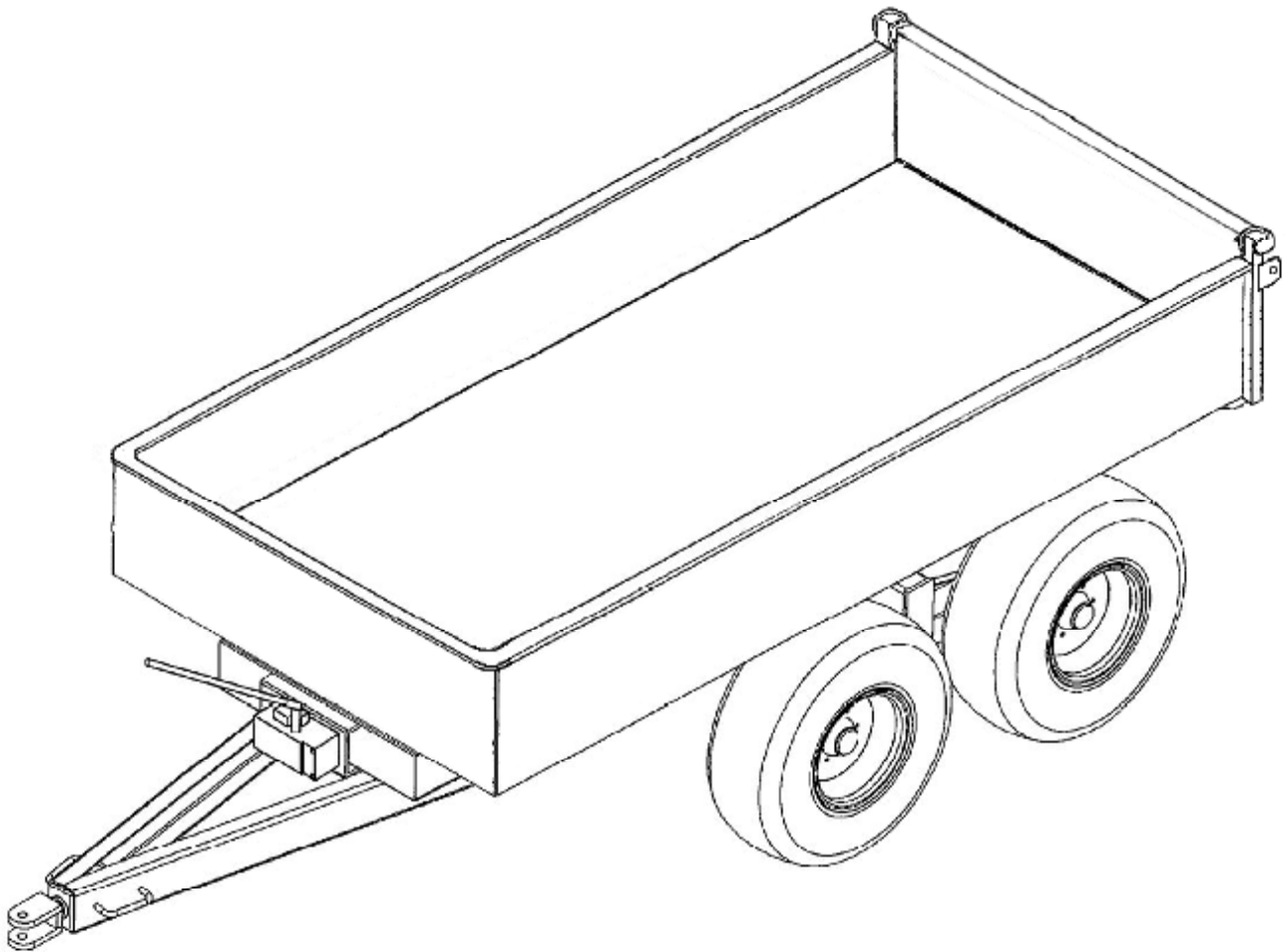




TAYLOR PITTSBURGH MFG., INC.
P.O. BOX 1866
ATHENS, TN 37371
423-745-3110

FIELD GENERAL

1.5 TON DUMP TRAILER



OWNERS MANUAL

Form 233-1.5T-DT-SC
JULY 2015

TABLE OF CONTENTS

WARRANTY	2
SAFETY SYMBOLS & SIGNAL WORDS	3
GENERAL INFORMATION.....	4
BOLT TORQUE CHART.....	4
SPECIFICATIONS	5
SAFETY RULES.....	6 - 7
SAFETY DECALS & LOCATIONS	8
OPERATION.....	9
ASSEMBLY.....	9
ATTACHING	9
OPERATION.....	10
TRANSPORTING	10
MAINTENANCE.....	10
STORAGE	10

COMPONENT PARTS SECTION

1-1/2 TON COMPONENTS	11 - 12
1-1/2 TON WHEEL COMPONENTS.....	13
1-1/2 TON HYDRAULIC CYLINDER COMPONENTS.....	14
MANUAL HYDRAULIC PUMP COMPONENTS	15

TO THE DEALER:

The farm trailer assembly and proper installation to the tractor is the responsibility of the TAYLOR PITTSBURGH dealer. Read manual instructions and safety rules. Make sure all items on the Pre-delivery and Delivery Check Lists are completed before releasing equipment to the owner.

TO THE OWNER:

Read this manual before operating your TAYLOR PITTSBURGH farm trailer. The information presented will prepare you to do a better and safer job. Keep this manual handy for ready reference. Require all operators to read this manual carefully and become acquainted with all the adjustment and operating procedures before attempting to operate. Replacement manuals can be obtained from your dealer or by calling 1-423-745-3110, in the USA and Canada only.

The farm trailer you have purchased has been carefully engineered and manufactured to provide dependable and satisfactory use. Like all mechanical products, it will require cleaning and upkeep. Lubricate the unit as specified. Observe all safety information in this manual and safety decals on the farm trailer and tractor.

For service, your authorized TAYLOR PITTSBURGH dealer has trained mechanics, genuine TAYLOR PITTSBURGH service parts, and the necessary tools and equipment to handle all your needs.

Provide this information to your dealer to obtain correct repair parts.

LIMITED WARRANTY

TAYLOR PITTSBURGH MFG., INC., the manufacturer, warrants only to the Original Purchaser that this equipment, under normal use and service, will be free from defects in material and workmanship for one (1) year from date of purchase providing this equipment is purchased for individual and not for commercial use. Warranty for commercial usage is 90 days. This warranty does not apply to any equipment which has been damaged or which has been subjected to abuse, misuse, negligence, abnormal wear and tear, alterations, tampering, or failure to follow operating instructions. This warranty does not cover any product or parts not manufactured by Taylor Pittsburgh Manufacturing, Inc..

Under this warranty, the manufacturer will repair or replace any part which the manufacturer determines has failed during the period of the warranty due to defects in material or workmanship. After approval by the manufacturer, the equipment or defective part must be returned to Taylor Pittsburgh Mfg., Inc., Athens, Tennessee 37371.

PURCHASER'S EXCLUSIVE REMEDY FOR BREACH OF WARRANTY, OTHER DEFECT, OR CONDUCT GIVING RISE TO LIABILITY SHALL BE THE REPAIR OR REPLACEMENT OF THE PRODUCT SOLD, AND THE MANUFACTURER UNDER NO CIRCUMSTANCES SHALL BE LIABLE FOR ECONOMIC LOSS OR INCIDENTAL OR CONSEQUENTIAL DAMAGES. THE MANUFACTURER DISCLAIMS ALL IMPLIED WARRANTIES, INCLUDING THE WARRANTY OF MERCHANTABILITY AND FITNESS FOR PURPOSE.

Taylor Pittsburgh Mfg., Inc. reserves the right to make improvements and changes in specifications without notice or obligation to modify previously sold units.

This manual describes the proper assembly procedures for your rotary tiller and furnishes operating and maintenance recommendations to help you obtain long and satisfactory service.

SAFETY RULES

 **ATTENTION! BECOME ALERT! YOUR SAFETY IS INVOLVED!** 

SAFETY ALERT SYMBOL


FIG. 1: This is the safety alert symbol. It means **ATTENTION: BECOME ALERT! YOUR SAFETY IS INVOLVED!** Look for it, both in this manual and on safety decals on the equipment. It will direct your attention to information that involves your safety and the safety of others.




Figure 1

SIGNAL WORDS

FIG. 2: The words **DANGER**, **WARNING** or **CAUTION** are used with the safety alert symbol. Learn to recognize these safety alerts, and follow the recommended precautions and safe practices.

 **DANGER:** The safety alert symbol, with the word **DANGER**, indicates an imminently hazardous situation that, if not avoided, will cause **DEATH OR VERY SERIOUS INJURY**.

 **WARNING:** The safety alert symbol, with the word **WARNING**, indicates a potentially hazardous situation that, if not avoided, could cause **DEATH OR SERIOUS INJURY**.


 **CAUTION:** The safety alert symbol, with the word **CAUTION**, indicates a potentially hazardous situation that, if not avoided, may cause a **MINOR INJURY**.



Figure 2

Replace any **DANGER**, **WARNING**, **CAUTION** or instructional decal that is not readable or is missing. The location and part number of these decals is identified later in the section of the manual.

IMPORTANT: The word **IMPORTANT** is used to identify special instructions or procedures which, if not strictly observed could result in damage to, or destruction of the machine, process or its surroundings.

GENERAL INFORMATION

INTRODUCTION

READ THIS MANUAL carefully to learn how to properly operate and service your dump trailer correctly. Failure to do so could result in personal injury or equipment damage.

Throughout this manual, references are made to right and left direction. **RIGHT - HAND AND LEFT - HAND** sides are determined by standing behind the dump trailer facing the direction the dump trailer will travel when going forward.

The purpose of this manual is to assist you in operating and maintaining your Series 4000 Dump Trailer. Read it carefully. It furnishes information and instructions that will help you achieve years of dependable performance. These instructions have been compiled from extensive field experience and engineering data. Some information may be general in nature due to unknown and varying operating conditions.

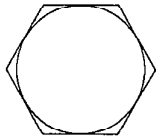
However, through experience and these instructions, you should be able to develop procedures suitable to your particular situation. Maintain your dump trailer with original repair parts to insure optimum performance.

The illustrations and data used in this manual were current at the time of printing, but due to possible production changes, your trailer may vary slightly in detail. We reserve the right to redesign and change the machines as may be necessary without notification.

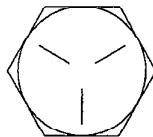
This trailer is for **off-highway uses only**. Do not use this trailer on highways.

BOLT TORQUE CHART

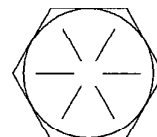
GRADE 2



GRADE 5



GRADE 8



TORQUE IN FOOT POUNDS (NEWTON METERS)

BOLT SIZE	3/8	1/2	5/8	3/4	7/8	1	
HEX HEAD	9/16	3/4	15/16	1-1/8	1-5/16	1-1/2	
GRADE	2	18 (24.4)	45 (61.0)	89 (120.7)	160 (216.9)	252 (341.6)	320 (433.9)
	5	30 (40.6)	68 (92.2)	140 (189.8)	240 (325.4)	360 (488.1)	544 (737.5)
	8	40 (54.2)	100 (135.6)	196 (265.7)	340 (460.9)	528 (715.1)	792 (1073.8)

Dump Trailer Specifications

Model	1.5T50x72
Capacity - Ton	1-1/2
Capacity	35 cu ft
Dump	Rear
Hitch	Swivel
Axle	Tandem
Tire Size	18 x 8-1/2 x 8
No of Tires	4
Weight - lbs	600
Bed Width - in.	50
Bed Length - in.	70
Bed Height - in.	21
Bed Floor	12 GA.
Overall Width - in.	54
Overall Length	8' 6"
Overall Height - in.	34
Dump Angle	45°
Side Panel Height - in.	13
Rear Panel Height - in.	14
Front Panel Height - in.	13
Tongue Jack	Std

SAFETY RULES



ATTENTION! BECOME ALERT! YOUR SAFETY IS INVOLVED!



Your personal safety is a primary concern in the design and manufacture of our products. Our efforts to provide such equipment can be wiped out by a single careless act of an operator. In addition to the design and configuration of equipment, hazard control and accident prevention are dependent upon the awareness, concern, prudence and proper training of personnel involved in the operation, transport, maintenance and storage of equipment.

It has been said “**The best safety device is an informed, careful operator.**” We ask you to be that kind of an operator.

The design of this equipment depends on it being operated within limitations as explained in this manual

TRAINING

- Safety instructions are important! Read this manual and the tractor manual; follow all safety rules and safety decal information. (Replacement manuals are available from dealer). Failure to follow instructions or safety rules can result in serious injury or death.
- If you do not understand any part of this manual and need assistance, see your dealer.
- Know your controls and how to stop engine and attachment quickly in an emergency.
- The operator must be instructed in and be capable of the proper operation of the equipment, its attachments and all controls. Do not allow anyone to operate this equipment without proper instructions.
- Do not allow children or untrained persons to operate equipment.

PREPARATION

- Always wear close fitting clothing and personal protection equipment called for by the job conditions. These items may include a hard hat, safety glasses, goggles or face shield, hearing protection and safety boots. DO NOT wear loose clothing, jewelry or any other items that may be entangled in moving parts. Tie up long hair.
- Ensure trailer is properly mounted, adjusted and in good operating condition.
- Tighten all bolts and nuts and check that all cotter pins are installed securely to ensure equipment is properly assembled before operating.
- Tractor must be equipped with ROPS FRAME or ROPS CAB and seat belt. Keep seat belt securely fastened. Falling off tractor can result in death from being run over or crushed. Keep foldable ROPS systems in “locked up” position at all times.
- Remove accumulated debris from this equipment, tractor and engine to avoid fire hazard.
- Ensure all safety decals are installed. Replace if damaged. (See Safety Decals section for location.)
- Ensure shields and guards are properly installed and in good condition. Replace if damaged.
- A minimum 20% of the combined tractor and dump trailer weight must be on the tractor front wheels with trailer in transport position. Without this weight, tractor could tip over causing personal injury or death. See your tractor operators manual for information regarding adding weights.

OPERATIONAL SAFETY

- Keep bystanders away from equipment while it is in operation.
- Operate only in daylight or good artificial light.
- Always comply with all state and local lighting and marking requirements.
- Do not allow other people in the area when operating, attaching, removing, assembling, or servicing trailer.

(Safety Rules continued on next page)



SAFETY RULES



ATTENTION! BECOME ALERT! YOUR SAFETY IS INVOLVED!

(Safety Rules continued from previous page)

- No riders are allowed on equipment.
- Always sit in tractor seat with seat belt fastened when operating controls or starting engine. Place transmission in park or neutral, engage brake and ensure all other controls are disengaged before starting tractor engine. Keep bystanders away from equipment while it is in operation.
- Look down and to the rear and make sure area is clear before operating in reverse.
- Stand clear of the trailer during dumping to avoid becoming injured.
- Do not operate on steep slopes.
- Do not stop, start or change directions suddenly on slopes.
- Use extreme care and reduce ground speed on slopes and rough terrain.
- Watch for hidden hazards on the terrain during operation.
- When performing any service or maintenance, disengage power to implement. Lower all raised components to the ground. Operate valve levers to release any hydraulic pressure. Stop engine, set parking brake and remove key before dismounting tractor.
- Keep all persons away from operator control area while performing adjustments, service or maintenance.

MAINTENANCE SAFETY

- Before performing any service or maintenance, disconnect hydraulic hoses from tractor to keep these parts from moving.

- Your dealer can supply genuine replacement parts. Substitute parts may not meet original equipment specifications.
- Do not climb or walk on trailer frame.
- Keep all persons away from operator control area while performing adjustments, service or maintenance.

TRANSPORTING SAFETY

- Use a Slow - Moving - Vehicle (SMV) emblem and proper lighting on the tractor when transporting the trailer. Do not transport on public roads.
- Always comply with all state and local lighting and marking requirements.
- Do not drive the tractor and trailer over 20 MPH (30 KPH) on the best surface conditions. Reduce speed when going up or down hills and when approaching ditches or corners.
- Check condition of hitch pins and bolts before transporting.
- Keep your trailer in proper working condition. Unauthorized modifications to the trailer may impair the function, affect trailer life, and put you at risk. Do not add excessive weight to trailer. Additional weight could cause frame to fail resulting in loss of control of trailer/tractor during transport.
- Watch low hanging Overhead Power Lines during transport. Avoid contact as this can cause serious injury or death.

STORAGE

- Lower equipment to the ground and block to prevent rolling.
- Keep playing children and bystanders away from storage area.
- Store on a level surface sheltered from the weather.



SAFETY DECALS

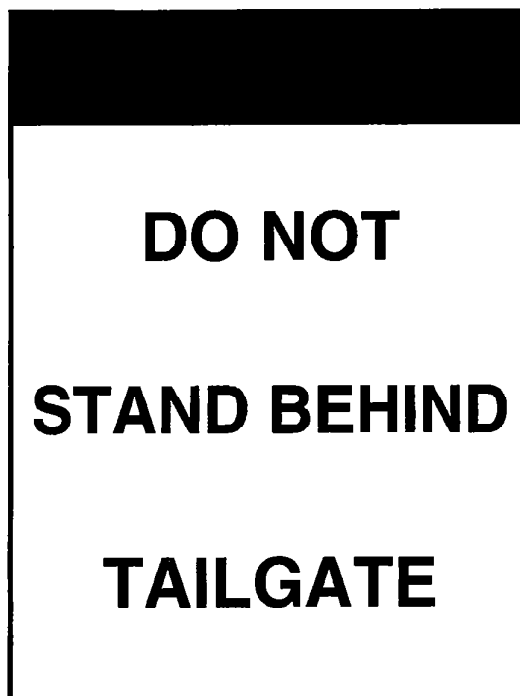
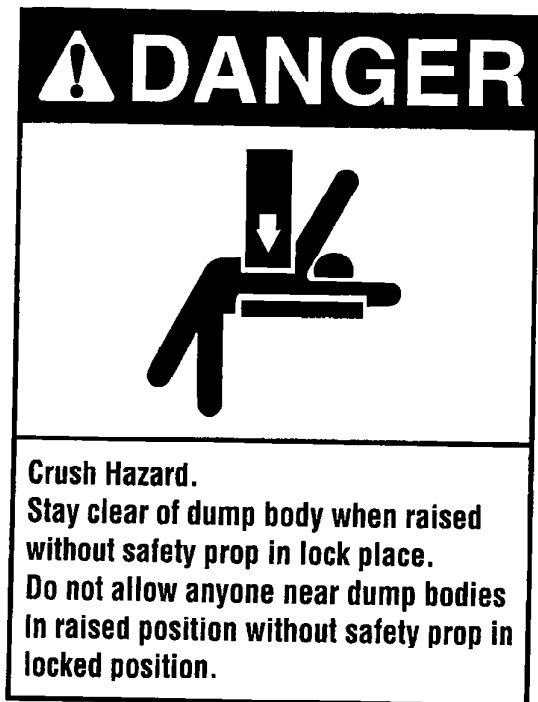


ATTENTION! BECOME ALERT! YOUR SAFETY IS INVOLVED!

Replace Immediately If Damaged!

DECAL LOCATIONS

The following safety decals are located on your implement. Read them and follow their instructions. Keep all decals in place and legible. Replace worn or missing decals. Replacement safety decals are available through your dealer. Order by number listed.



OPERATION

Your personal safety is a primary concern in the design and manufacture of our products. Our efforts to provide such equipment can be wiped out by a single careless act of an operator.

In addition to the design and configuration of equipment, hazard control and accident prevention are dependent upon the awareness, concern, prudence and proper training of personnel involved in the operation, transport, maintenance and storage of equipment.

It has been said “**The best safety device is an informed, careful operator.**” We ask you to be that kind of an operator.

The operator must be properly trained. Operators should be familiar with the dump trailer and tractor and all safety practices before starting operation. Read the safety information on pages 2, & 5 through 8.

This dump trailer is designed for normal farm usage.

Maintain your dump trailer with original repair parts to insure that it provides optimum performance.

MODIFICATIONS

It is the policy of the manufacturer to improve its products whenever possible and practical. We reserve the right to make changes, improvements, and modifications at any time without incurring the obligation to make such changes, improvements, and modifications on any implement sold previously.

ASSEMBLY

General

Your Series 4000 Dump Trailer is shipped fully assembled.

IMPORTANT

Check trailer tire pressure to ensure adequate weight carrying capability.

BEFORE OPERATION

1) Tighten all loose hardware using the torque chart. **SEE ASSEMBLY.** Replace any missing hardware. On new machines, all hardware must be rechecked after first few hours of operation.

2) Replace any bent or broken parts.

3) Check trailer for signs of wear or damage. Replace if necessary. **SEE MAINTENANCE.**

4) Read the **SAFETY** section of this manual to be sure of all precautions.

ATTACHING

1) Back tractor to align hitch with drawbar.

WARNING

Be sure bystanders are clear. Do not stand between implement and tractor. Shut off tractor and engage parking brake prior to dismounting.

2) Attach tractor to trailer with high strength drawbar pin. Secure with keeper.

3) Attach hydraulic hoses from trailer to tractor remote outlets.

WARNING

Do not use bare hand to check for leaks. Hydraulic fluid under high pressure can penetrate skin and cause poisoning.

Operation

Your trailer is designed for performing jobs with little or no adjustment requirement.

3) Keep playing children and bystanders away from storage area.

TRANSPORTING

1) Transport at no more than 20 MPH (30 KPH).

4) Use care when transporting on rough terrain.

5) **DO NOT transport on public roads**, always have a slow moving vehicle (SMV) emblem mounted to the tractor such that it is visible from the rear.

MAINTENANCE

WARNING

Do not perform any maintenance while tractor is running or when trailer is in motion.

Your dump trailer is designed for minimum maintenance. By taking a few minutes prior to beginning operations and performing the following maintenance check, you will insure improved performance and longer life of your trailer. Repair or replace any damaged parts before using the trailer.

1) Check tire pressure.

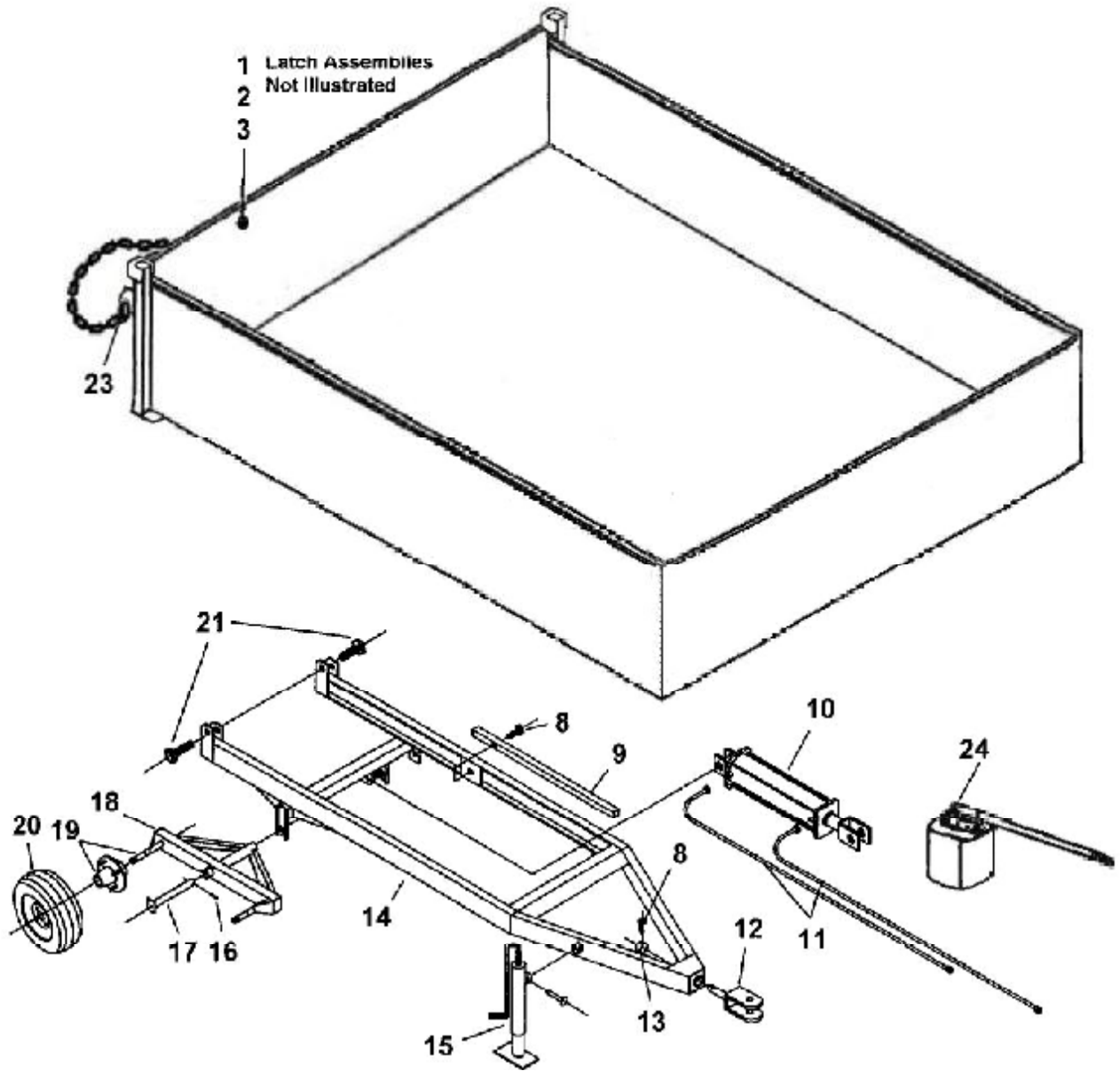
2) Make sure tailgate is shut and latched.

STORAGE

1) Clean all debris from trailer.

2) Store trailer on a level surface sheltered from the weather. Block to prevent rolling.

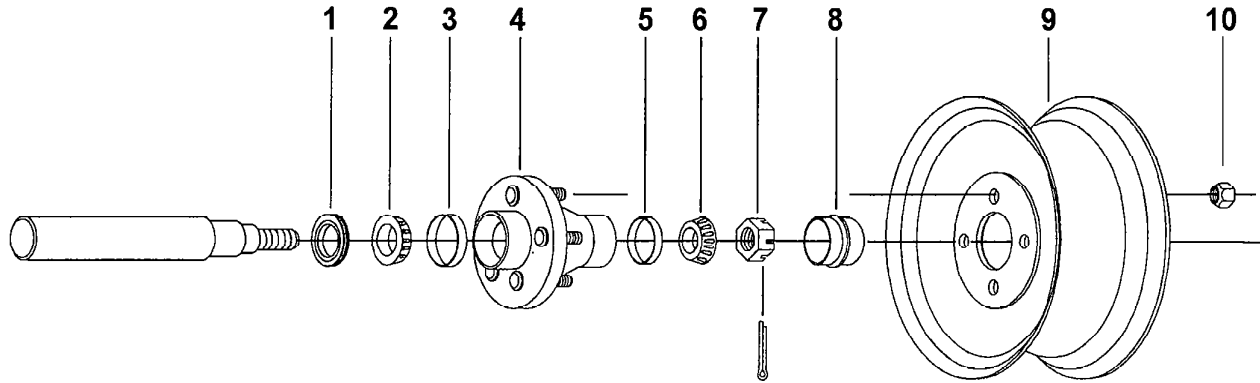
1-1/2 TON TRAILER COMPONENTS



**MAIN FRAME COMPONENTS
FOR 1-1/2 TON TRAILER**

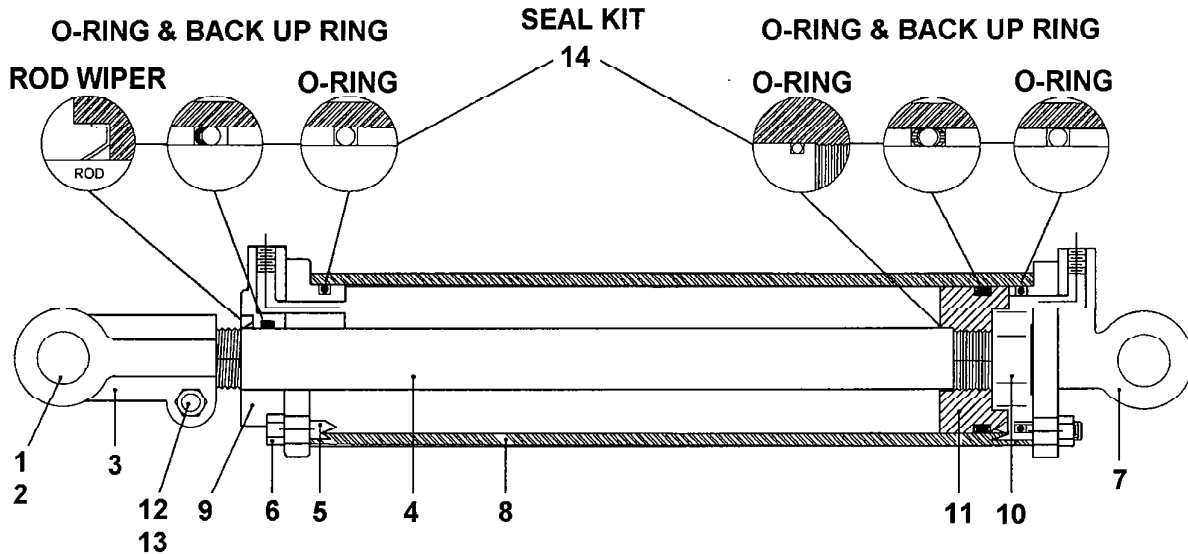
Item	Part #	Description	Qty
1	930419	PANEL/REAR BOX	1
2	303611	HHCS 3/8" X 3/4"-NC Gr.5	4
	303969	FLAT WASHER 3/8"	4
3	NA	REAR PANEL LATCH	2
4	NA	PANEL/LEFT SIDE BOX	1
5	NA	HHCS 3/8" X 2"-NC Gr.5	8
		NUT/HEX LOCK 3/8"-NC	8
6	NA	PANEL/FRONT BOX	1
7	NA	FLOOR ASSY	1
8	303655	HHCS 1/2" X 2-1/2"-NC Gr.5	2
	304020	NUT/HEX LOCK 1/2"-NC	2
9	930427	PROP/BOX	1
10	930470	CYL/HYD 3" X 12"	1
11	930466	HOSE/HYD 102"	2
12	930445	HITCH/SWIVEL	1
13	930567	BUSHING/SWIVEL	1
14	808009	JACK 10"	1
15	930400	FRAME/TRAILER MAIN	1
16	930548	PIN/COTTER 5/32" X 3"	2
17	930437	PIN/KING	2
18	930434	FRAME/TANDEM PIVOT	2
19	---	HUB/WHEEL ASSY - (See following page)	4
20	---	TIRE/WHEEL ASSY - (See following page)	4
21	303704	HHCS 3/4" X 3-1/2"-NC Gr.5	2
	304022	NUT/HEX LOCK 3/4"-NC	2
22	930413	PANEL/RIGHT SIDE BOX	1
23	930444	LINK/QUICK 3/16" CHAIN	2
24	930475	MANUAL HYDRAULIC PUMP (See page 15)	1

WHEEL COMPONENTS FOR 1-1/2 TON TRAILER



Item	Part #	Description	Qty.
1	930460	SEAL / TRIPLE LIP	1
2	814684	CONE / BRG. L44643	1
3	505282	CUP / BRG. L44610	1
4	930452	HUB / WHEEL 4-BOLT	1
5	505282	CUP / BRG. L44610	1
6	814684	CONE / BRG. L44643	1
7	930561	NUT / HEX SLOTTED 1.0"	1
	930562	PIN / COTTER	1
8	930455	CAP / HUB	1
9**	-----	RIM / WHEEL 8.5 X 8 - 4 BOLT	1
**	-----	TIRE 8.5 X 8 TURF SAVER (Not Shown)	1
10	50843	NUT / LUG 1/2"-UNF	4
**	930442	RIM & TIRE / 8.5 X 8 TURF SAVER 4-BOLT	---
Rim & Tire NOT Available Separately			

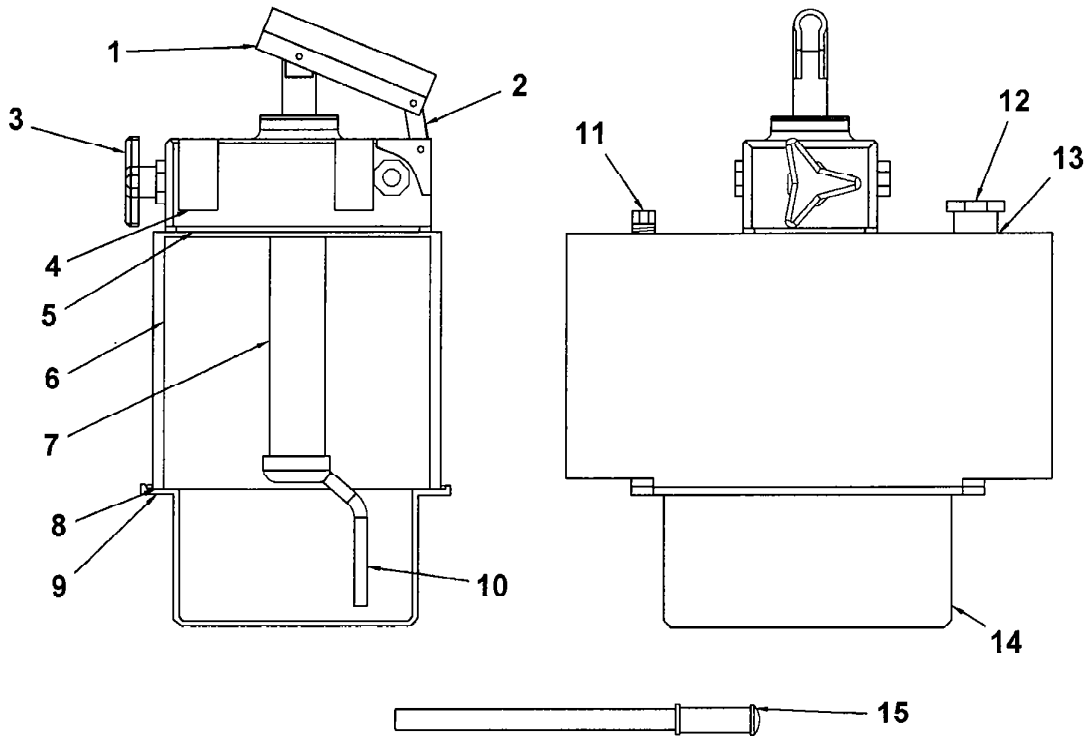
3 X 12 CYLINDER COMPONENTS FOR 1-1/2 TON TRAILER



**This Cylinder is Tie Rod
Design with Square ends**

Item	Part #	Description	Qty.
1	304244	CLIP / HARIPIN	4
2	606949	PIN / CLEVIS	2
3	930476	CLEVIS ASSEMBLY for 3 X 12"	1
4	930477	ROD	1
5	930478	TIE ROD 3" X 12"	4
6	930479	NUT / TIE ROD	8
7	930480	BASE END	1
8	930481	TUBE BARREL 3" X 12"	1
9	930482	GLAND (CAP) ROD END	1
10	930483	NUT / PISTON	1
11	930484	PISTON	1
12	930485	NUT / CLEVIS	1
13	930486	BOLT / CLEVIS	1
14	930487	PACKING KIT for 3" X 12" Cyl.	1
---	930470	CYLINDER COMPLETE 3" X 12"	

MANUAL HYDRAULIC PUMP FOR 1-1/2 TON TRAILER



Item	Part #	Description	Qty.
1	-----	NOT SERVICED	---
2	-----	NOT SERVICED	---
3	930533	RELIEF VALVE KNOB	1
4	305204	HHCS M8 X 25	4
5	930534	GASKET / PUMP	1
6	930535	PUMP MAIN BODY	1
7	930536	HAND PUMP ONLY (No Body)	1
8	930537	GASKET / RESEVOIR	1
9	930538	SCREW for Resevoir Mounting	8
10	930539	SUCTION TUBE for Resevoir	1
11	930540	PLUG / OIL FILLER	1
12	930541	CAP / BREATHER	1
13	930542	WASHER / ALUMINUM	1
14	930543	RESEVOIR / 3 LITRE	1
15	930544	LEVER / HANDLE	1
***	930545	KIT / GASKET	1
	930475	PUMP / MANUAL HYDRAULIC	

